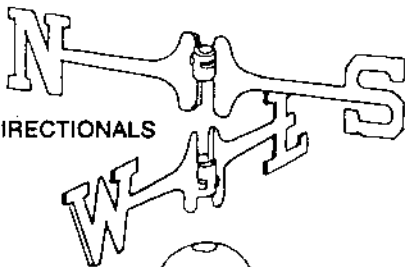


Assembly Instructions

Full Size Weathervane

(With RETAINING HOOK)

COPPER SPACER BALL (SMALL)



BRASS DIRECTIONALS

COPPER BALL (LARGE)

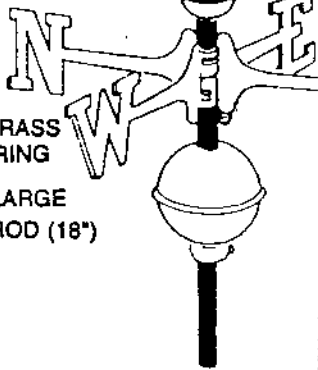


SMALL ROD



BRASS RING

LARGE ROD (18")



ASSEMBLED VIEW

YOUR PACKAGE INCLUDES THE FOLLOWING PIECES:

- 1 Figure (Goose, Duck, Heron, Osprey, Airplane, etc. Whichever one you purchased.)
- 1 Small Copper Ball
- 1 Large Copper Ball
- 1 Set of Brass Directionals
- 1 Brass Ring
- 1 Small Iron Threaded Rod
- 1 Large Iron Rod (18")
- 1 Retaining Hook

1



POSITION BRASS RING OVER LARGE ROD. TIGHTEN SET SCREW

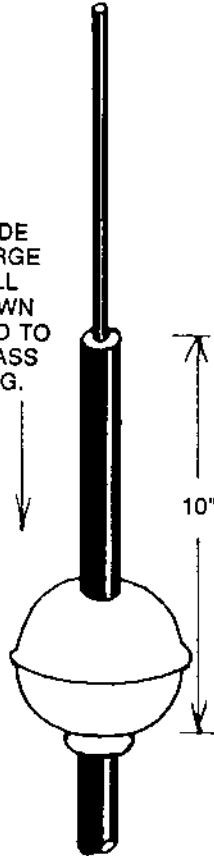
2



THREAD SMALL ROD INTO LARGE ROD. TIGHTEN FIRMLY WITH PLIERS.

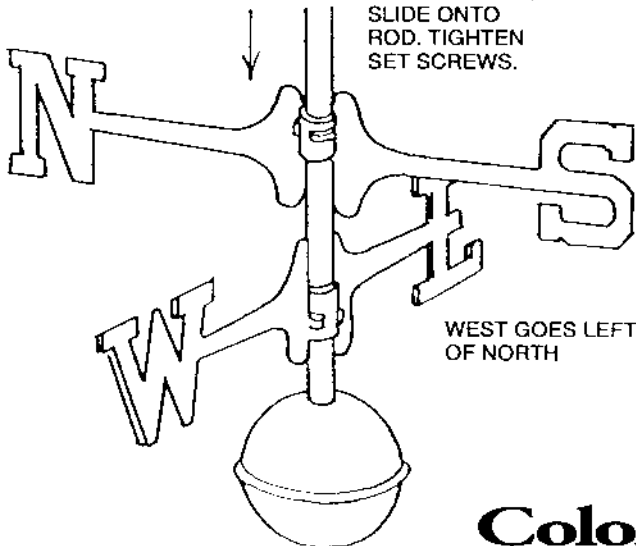
3

SLIDE LARGE BALL DOWN ROD TO BRASS RING.



4

INTERLOCK DIRECTIONALS. SLIDE ONTO ROD. TIGHTEN SET SCREWS.

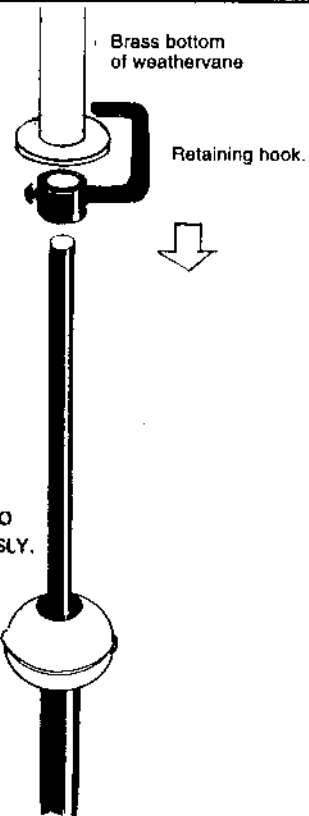


WEST GOES LEFT OF NORTH

5

APPLY COMMON GREASE TO ROD SO VANE WILL ROTATE FREELY.

SLIDE WEATHERVANE AND RETAINING HOOK ONTO SMALL ROD SIMULTANEOUSLY. TIGHTEN SET SCREW.



Colonial Collections
of New England, Inc.